

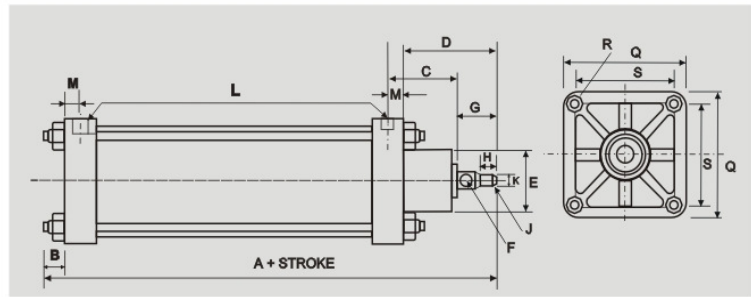


F FLUIDTECQ
PNEUMATICS (P). LTD.
An ISO 9001: 2000 Company

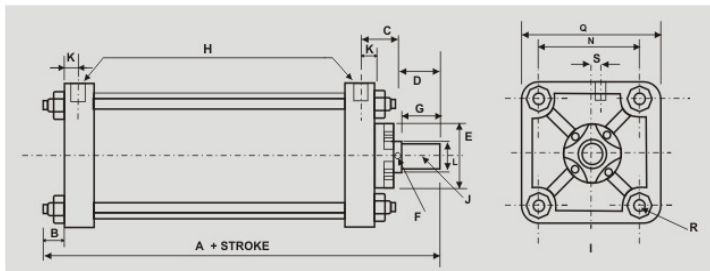
Large Bore Cylinders The Workhorse



Basic Cylinder For Bore Size
5" & 6" Double Acting - with or without
Adjustable Cushions



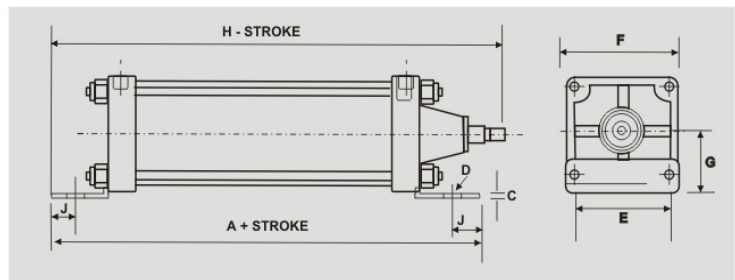
CYL	A	B	C	D	E	F	G	H	J	K	L	M	Q	R	S
5"	238	20	60	116	70	8	68	51	1* BSF	35	3/8* BSP	13	140	1/2" X 16 BSF	108
6"	266	30	66	114	80	8	68	51	1* BSF	35	3/4* BSP	21	165	5/8" X 14 BSF	130



Basic Cylinder For Bore Size
8", 10", 12" Double Acting - with or without
Adjustable Cushions

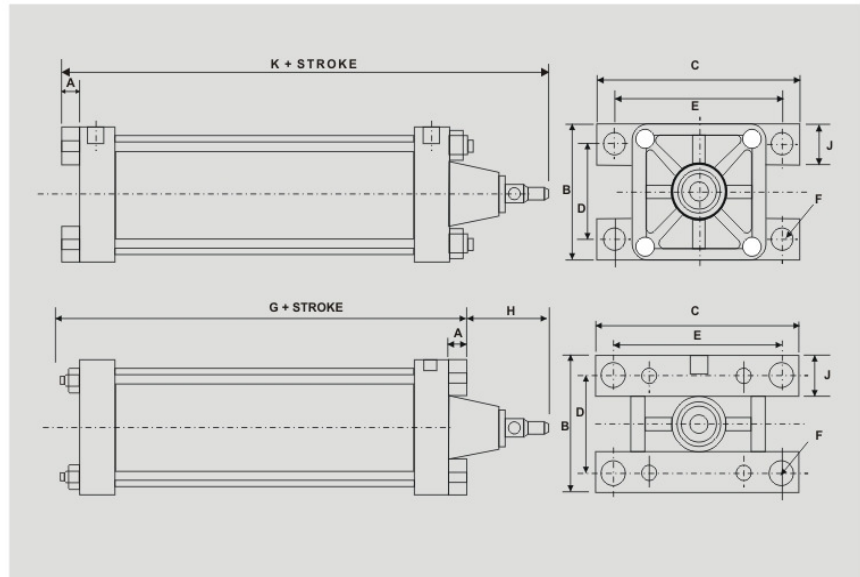
CYL∅	A	B	C	D	E∅	F∅	G	H	J	K	L	N	Q	R	S
8"	283	21	37	70	121	8	57	3/4" BSP	1.5" BSF	21	45	168	216	3/4" X 19 BSF	19
10"	368	52	41	102	149	10	76	3/4" BSP	2" BSF	24	57	210	267	1" X 19 BSF	19
12"	429	67	57	108	177	10	76	1" BSP	2" BSF	29	57	247	321	1" X 25 BSF	25

Leg mountings for use on applications
requiring the cylinder piston motion to
be parallel to the mounting surface

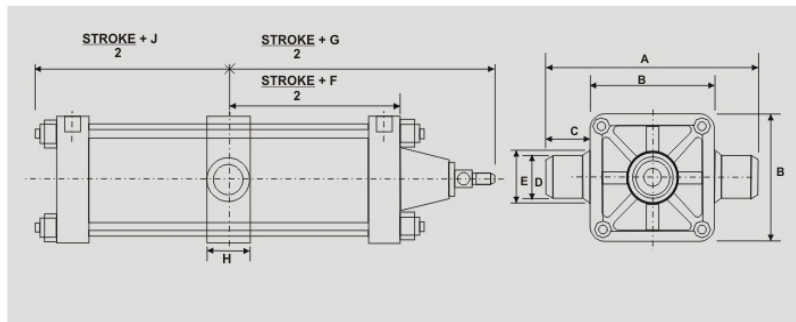


CYL∅	A	C	D	E	F	G	H	J
5	204	5	14	108	140	89	268	16
6	250	5	17	130	162	89	299	19
8	290	10	20	168	216	122	319	19
10	337	13	26	210	267	149	386	25
12	390	13	26	247	320	178	444	29

Front/ Rear Flange Mounting



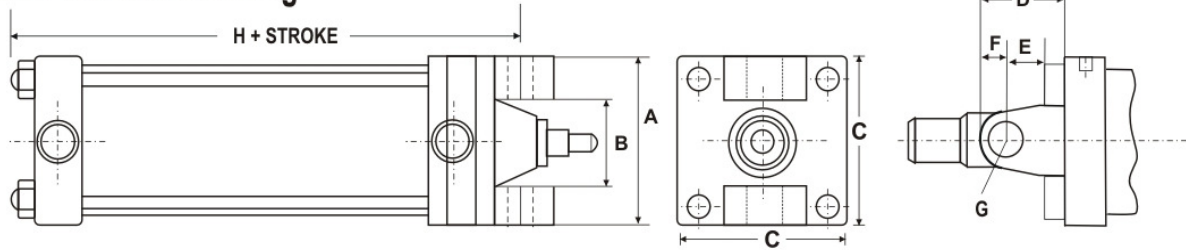
CYL Ø	A	B	C	D	E	F	G	H	J	K
5"	19	146	203	108	171	14	142	97	38	237
6"	19	168	242	130	203	16	173	95	38	254
8"	25	219	318	168	267	20	227	61	51	288
10"	32	273	362	210	311	26	281	87	57	348
12"	32	310	448	246	384	27	329	104	64	394



Center Trunion

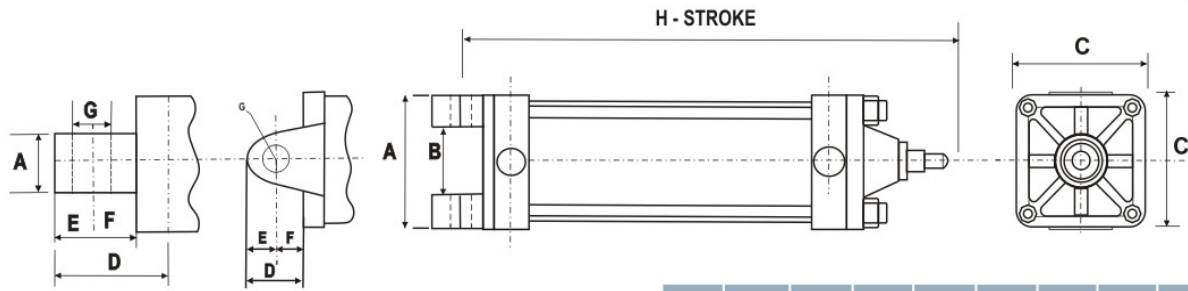
CYL Ø	A	B	C	D	E	F	G	H	J
5"	261	152	51	38	51	51	166	51	72
6"	280	185	45	38	51	61	175	51	91
8"	356	243	54	44	57	88	175	76	109
10"	432	300	63	50	63	100	217	89	151
12"	534	369	76	76	102	113	249	108	180

Front Trunion Mounting



CYL Ø	A	B	C	D	E	F	G Ø	H
5"	140	89	134	70	25	25	25	167
6"	172	108	165	76	25	29	25	205
8"	222	146	216	98	41	29	38	273
10"	270	165	267	108	44	32	38	313

Rear Trunion Mounting



only for 12" bore

CYL Ø	A	B	C	D Ø	E	F	G	H
5"	140	89	134	70	25	25	25	262
6"	172	108	165	76	25	29	25	286
8"	223	146	216	99	41	29	38	320
10"	270	165	267	108	44	32	38	380
12"	102	-	320	137	41	57	38	457

F FLUIDTECQ
PNEUMATICS (P). LTD.

Fact. :

W - 97, M.I.D.C. Anand Nagar, Ambarnath (East), Pin: 421 506.

Tel : 0251-2620491 / 569 2532 e-mail: fluidtec_2000@vsnl.net / fluidtec_2000@yahoo.com

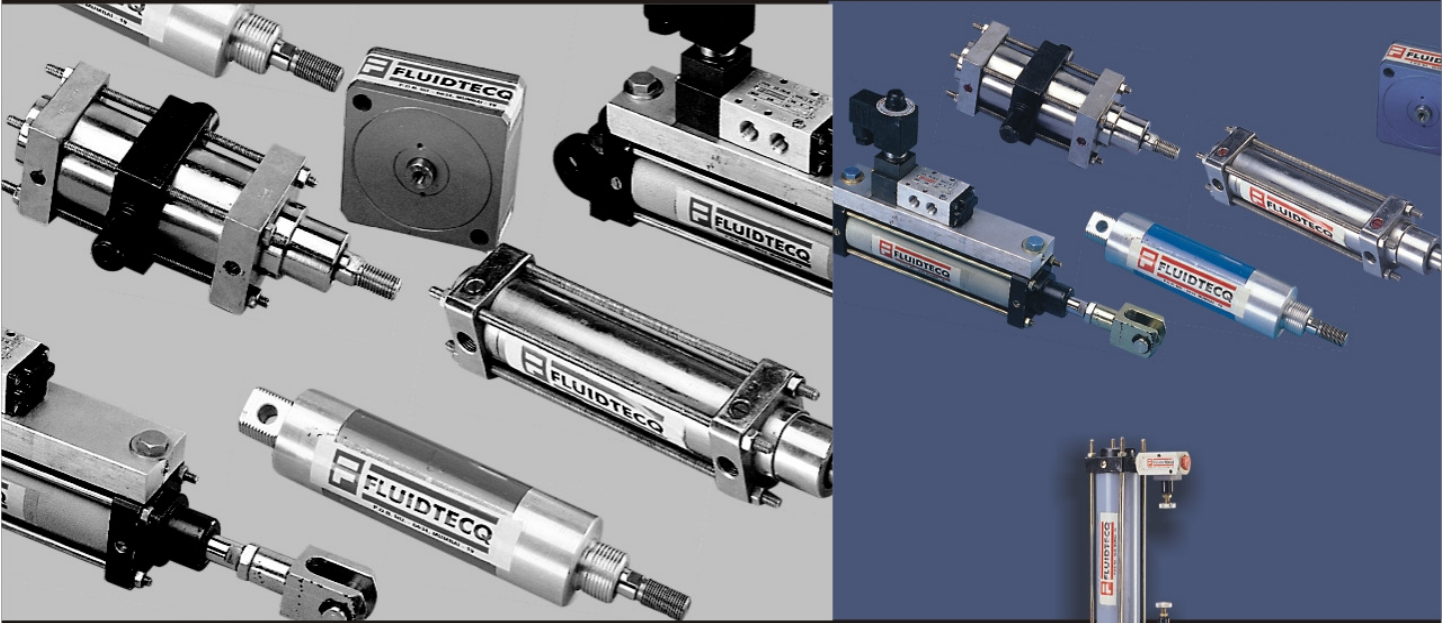
WEBSITE : www.fluidtecq.com

with effect from 01-06-2003
As development is a continuous process, designs and dimensions are subject to change without notice.

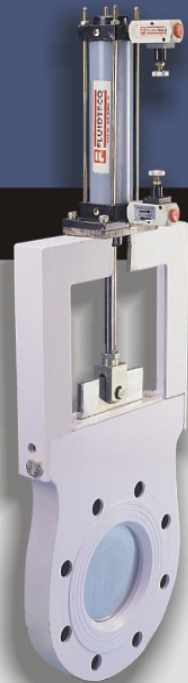
FLUIDTECQ ... QUALITY WITH RESPONSIBILITY

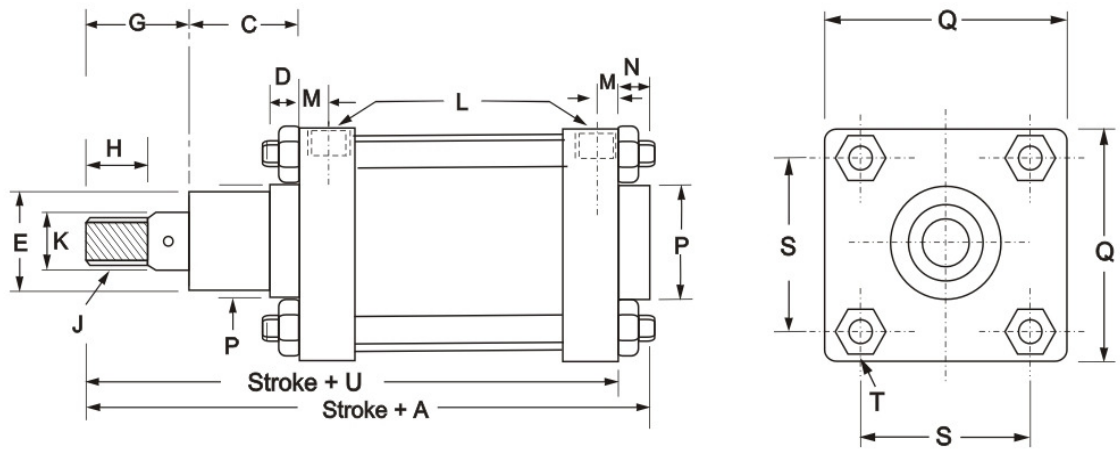


F FLUIDTECQ
PNEUMATICS (P). LTD.
An ISO 9001: 2000 Company



**PNEUMATIC
DOUBLE
ACTING
CYLINDERS**





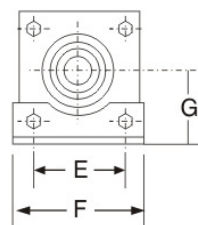
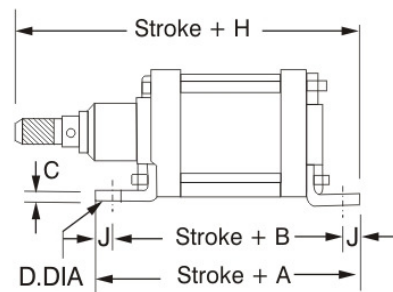
STANDARD CYLINDER DIMENSIONS:

Dia Size In mm.	38	50	57	63	76	102
A mm.	163	167	167	167	203	203
C mm.	35	35	35	35	43	43
D mm.	10	10	10	10	11	11
E mm.	30	30	30	30	42	42
G mm.	34	34	34	34	49	49
H mm.	21	21	21	21	31	31
J mm.	1/2" 16	1/2" 16	1/2" 16	1/2" 16	3/4" 12	3/4" 12
K mm.	16	16	16	16	25	25
L BSP	1/4"	1/4"	1/4"	1/4"	3/8 "	3/8 "
M mm.	9	9	9	9	12	12
N mm.	9	9	9	9	12	12
P mm.	35	40	45	51	61	61
Q mm.	51	60	70	76	90	112
S mm.	37	45	52	56	67	86
T mm.	M6	M6	M8	M8	M10	M10
U mm.	146	146	146	146	183	185

LEG MOUNTINGS

Mild steel angle brackets for cylinder piston motion parallel to mounting surface Two brackets per cylinder needed.

Dia Size in mm.	38	50	57	63	76	102
A	140	146	146	146	167	169
C	3	3	3	3	3	3
D	7	9	9	9	10	10
E	37	52	52	57	67	86
F	51	70	70	76	89	111
G	31	40	40	42	48	57
H	177	180	180	180	203	223
J	10	10	10	10	11	11



NECK MOUNTINGS

Threads can be provided on the cylinder units and hexagonal nuts supplied separately.

Dia Size in mm.	38	50	57	63	76	102
A	163	167	167	167	203	203
C	35	40	45	51	61	61
D	25	25		25	32	32
E	30	30	30	30	42	42
THREADS F	M30 X 1	M30 X 1	M30 X 1	M30 X 1	M45 X 1.5	M45 X 1.5
G	34	34	34	34	49	49
H	21	21	21	21	31	31
J	38	38	38	38	54	54
K	8	8	8	8	10	10

